



Genesis Series

5,5 to 22 kW



Compressed air at your service

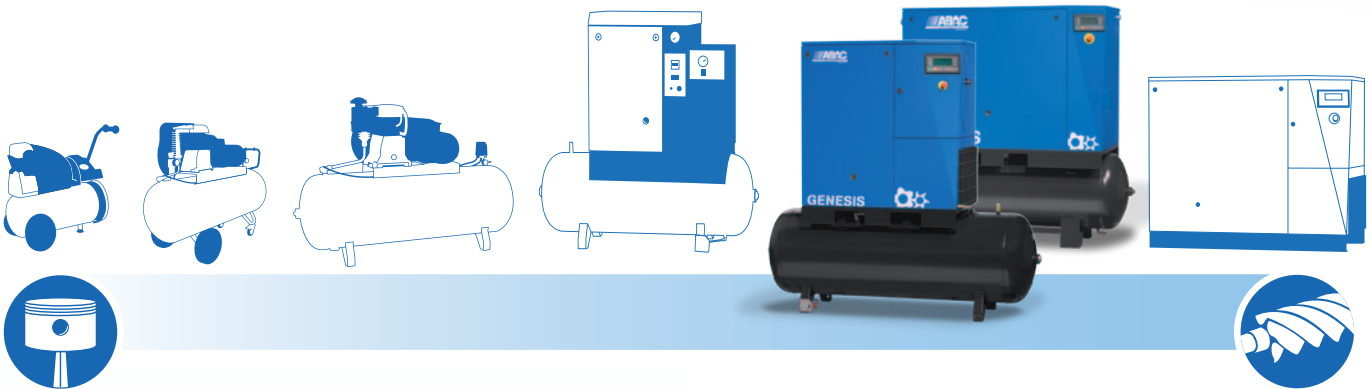


Join the ABAC advantage

Since 1980, ABAC offers the right mix of flexibility and experience for the industrial, professional and DIY compressed air markets. From state-of-the-art production facilities straight to your business via more than 300 distributors in more than 100 countries worldwide, ABAC provides you with plug & play air solutions with a quality label. We deliver trouble free workmates, both piston as well as screw compressors, that are always available and ready to use.



Join today thousands of convinced customers operating millions of ABAC compressors worldwide.



The Genesis concept

A compressed air installation usually requires many different components: a compressor, a receiver, a cyclonic separator, a refrigerant dryer, drains and a post filter. All of this can now be replaced by only one thing: the Genesis workstation.

A unique integrated solution!

Our famous user friendliness

Thanks to an intuitive control panel, you have a clear overview of all key parameters and system menus - so in a few touches you can easily drive your Genesis. Besides, all the maintenance components like air, oil filters and belts are ideally positioned to enable an ultimately fast and secure maintenance.

Dedicated service kits support reliable and efficient operation and include all original parts in one single package. ABAC provides you with a simple solution based on the running hours of your compressor. All parts easy at hand while providing highest protection of your investment!



The Reference workstation

The legendary Genesis, that's a truly plug & play solution for air delivery, or just everything you need in one place for far less space.



Today, we are only 3 steps away from running your complete air equipment:

Connect the piping network

Connect the power supply

Start to work

Easiness without compromising on completeness, robustness or efficiency

- Full option air for your ease: all versions include special features refrigerant dryer, automatic drain, line filter (0,1 micron) & vessel.
- Extreme robustness and outstanding reliability provided by high performance air ends.
- As efficient as large industrial compressors with low maintenance, low energy consumption, low service input and optimal installation tuning.
- Variable speed version, wherever energy saving counts even more.

Genesis, or how ABAC makes full feature compressed air easy: we tune it upfront for you.



Genesis Series

5,5 to 22 kW

Fixed speed



Type	Ltr	kW	HP	l/min	cfm	l/min	cfm	l/min	cfm	dB(A)	L x W x H (mm)	Kg
Genesis	270	5,5	7,5	820	28,9	670	23,7	520	18,4	66	1150 x 642 x 1837	330
	500										1935 x 642 x 1839	415
	270	7,5	10	1153	40,7	1000	35,3	810	28,6	66	1150 x 642 x 1837	335
	500										1935 x 642 x 1839	420
	270	11	15	1665	58,8	1435	50,7	1210	42,7	69	1150 x 642 x 1837	355
	500										1935 x 642 x 1839	440
	270	15	20	1985	70,1	1771	62,5	1480	52,2	69	1150 x 642 x 1837	380
	500										1935 x 642 x 1839	465
	270	15'	20	2218	78,3	2020	71,3	1538	54,3	70	1150 x 642 x 1837	410
	500										1935 x 642 x 1839	495
	500	18,5	25	2767	97,7	2567	90,6	2017	71,2	72	1939 x 786 x 1841	638
	500	22	30	3417	120,6	3017	106,5	2417	85,3	74	1939 x 786 x 1841	654

Variable Speed



Type	Ltr	kW	HP	Bar	l/min	cfm	l/min	cfm	dB(A)	L x W x H (mm)	Kg
Genesis I	270	11	15	6 - 13	425	15,0	1621,2	57,2	73	1150 x 642 x 1837	399
	500									1935 x 642 x 1839	484
	500	22	30	4 - 10	645	22,8	3666	129,4	74	1939 x 786 x 1841	682
	500	22	30	7 - 13	675	23,8	3216	113,5	74	1939 x 786 x 1841	682

* Unit performance measured according to ISO 1217. Noise level measured according to ISO 2151. Reference conditions: instake air pressure 1bar, 20 C and 70% UR.

Genesis

Fixed speed compressors

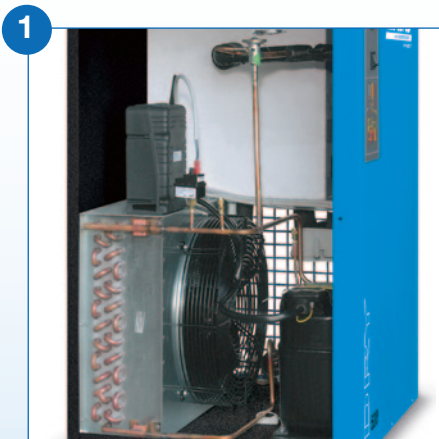


Only 1,24 m² (5 - 15 kW Series)

Compact design

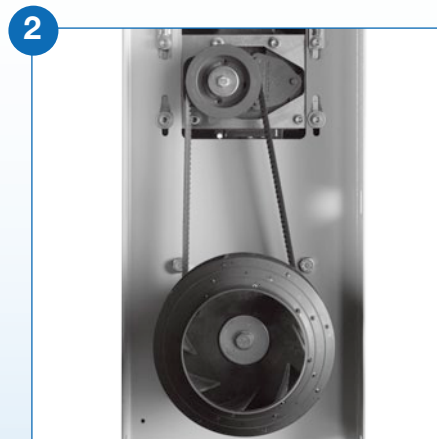
The Genesis Series compresses and processes high quality air on a minimal space.

Only 0,70 m² (5 - 15 kW-Series)



Dry and clean air, ready to use

Every Genesis is built with a generously sized dryer that grants you moisture free air at all times. All units are also equipped with an efficient filtration system that filters solid and liquid particles up to 0.1 micron. The result is simple: dry and clean air suitable for most of the industrial applications.



Plug and play maintenance

Good positioning of all service items such as belts, oil and air filters plus an external oil level indicator enable you to have an ultimately easy and fast maintenance. Long service intervals and smart maintenance kits make the user friendly experience more complete.

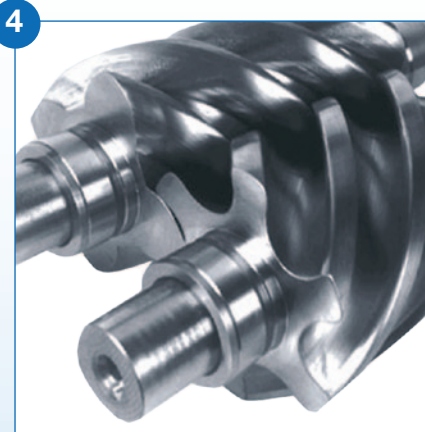


Full control in a few clicks

The MC2 controller gives you easy access to menus and all key performance indicators necessary to drive your operation. It also features remote control interface with up to 4 compressors, programmed routine maintenance, fault log and several other functions.

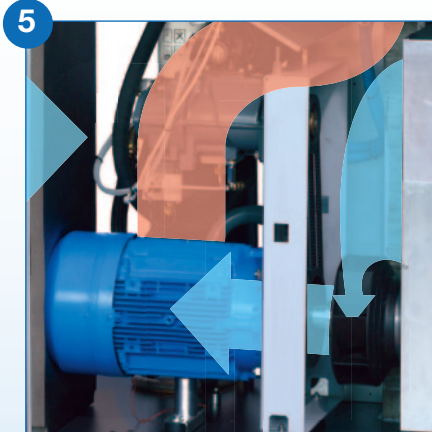
Genesis I

Variable speed compressors



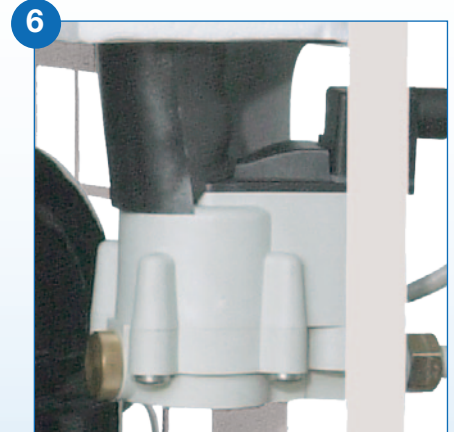
New generation air ends

The new generation air ends guarantees you superior FAD efficiency, more robustness and the reliability of a manufacturer who assembles 25.000 of these air ends every year.



Standard efficiency included for a long lifetime at low cost

Powerful independent motor cooling guaranteeing ideal temperatures even on extreme conditions; high efficiency air/oil aluminium cooler block.



No loss automatic condensate drain

The noise free automatic condensate drain discharges only water. There is no waste of air. This silent process respects your working environment.

Your additional benefits from using variable speed compressors

During most of the time, the air consumption in your network is not constant. A variable speed compressor reduces the speed of the main motor to follow precisely the profile of compressed air consumption. This results in considerable saving on your energy bill..

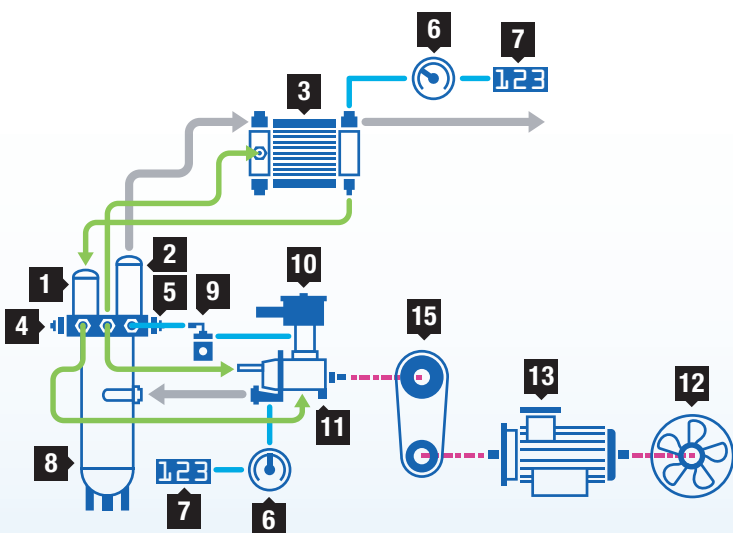
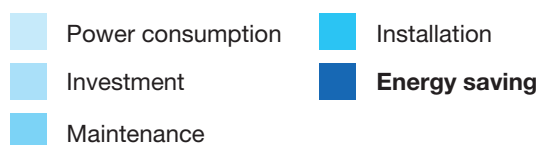
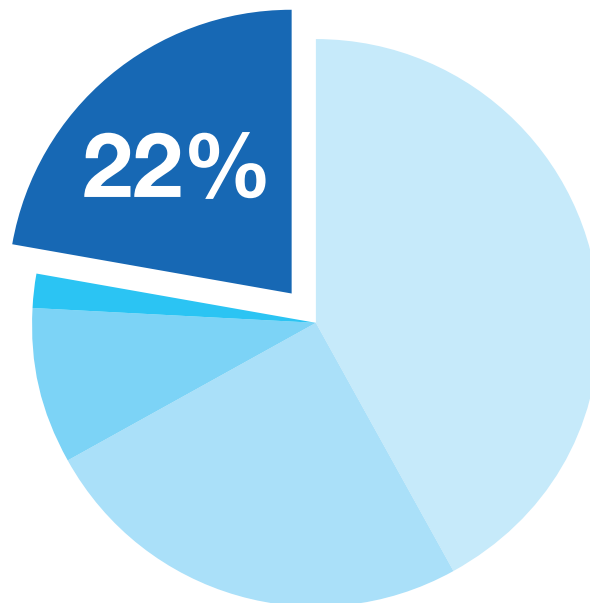
Full variable speed efficiency benefits

Soft start: reduces the current on start, protecting the motor and reducing power consumption.

EMC Compliant: no electromagnetic interference to or from your power network.

Constant air pressure to any value between 6-13 bar: no pressure fluctuation between load and unload grants you no waste of energy.

High efficiency motor: more energy efficiency through the use of EFF1/IE2 motors.

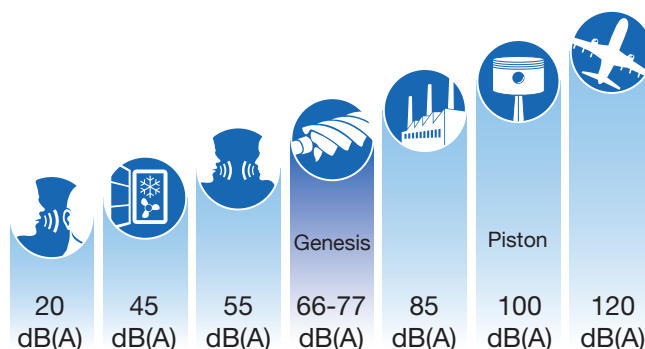


See how your Genesis works

- Compressed Air
- Air/Oil
- Air
- 1. Oil filter
- 2. Air/Oil separator filter
- 3. Air/Oil cooler
- 4. Thermostatic valve
- 5. Safety valve
- 6. Pressure control
- 7. Display
- 8. Oil tank
- 9. Suction electro valve
- 10. Air suction filter
- 11. Air end
- 12. Cooling fan
- 13. Electric motor
- 14. Temperature control
- 15. Transmission group

Full comfort air wherever you need it

Space efficient design, uncompromised noise levels thanks to generous insulation and easy handling via two access points: ABAC enables you to install the Genesis device close to your workspace, save on piping network and still keep the comfort.



The world of ABAC



Original parts.
Your quality assurance.

Your Authorized Distributor

6999010220

The 'original part' identification confirms that these components passed our strict test criteria. All parts are designed to match the compressor and are approved for use on the specified compressor. They have been thoroughly tested to obtain the highest level of protection, extending the compressors' lifetime and keeping the cost of ownership to an absolute minimum. No compromises are made on reliability. The use of 'original part' certified quality components helps ensure reliable operation and will not impact the validity of your warranty, unlike other parts. Look for your quality assurance.



Compressed air at your service